



**BALTIMORE  
AIRCOIL COMPANY**

**POLAIRIS** 



## PLC2 Evaporative Condensers

### **RIGGING AND INSTALLATION INSTRUCTIONS**





# About rigging and installation

The BAC equipment should be rigged and installed as outlined in this bulletin.

These procedures should be thoroughly reviewed prior to the rigging and operation to acquaint all personnel with the procedures to be followed and to assure that all necessary equipment will be available at the job site. Be sure to have a copy of the unit certified drawing available for reference. If you do not have a copy of this drawing or if you need additional information about this unit, contact the local BAC representative. His name and phone number can be found on the [www.BaltimoreAircoil.com](http://www.BaltimoreAircoil.com). The model type and serial number of your equipment are indicated on the unit nameplate.

## Recommended maintenance and monitoring programme

Checks and adjustments	Start-Up	Weekly	Monthly	Quarterly	Every 6 months	Annually	Shutdown
Cold water basin & strainer	X			X			
Access louvers	X						
Operating level and make-up	X		X				
Blow down	X		X				
Sump heater package	X				X		
Rotation of fan(s) and pump(s)	X						
Fan guards	X						
Motor voltage and current	X					X	
Electrical connections	X				X		
Unusual noise and/or vibration	X		X				

Inspections and monitoring	Start-Up	Weekly	Monthly	Quarterly	Every 6 months	Annually	Shutdown
General condition	X		X				
Heat transfer section	X				X		
Drift eliminators	X				X		
Water distribution	X				X		
Water collection	X				X		
Fan and motor	X			X			
Spray water pump	X			X			
Electric water level control package (optional)	X				X		
Level or alarm switches				x			
TAB test (dip slides)	X	X					
Circulating water quality	X		X				
System overview	X					X	
Record keeping	as per event						



Cleaning procedures	Start-Up	Weekly	Monthly	Quarterly	Every 6 months	Annually	Shutdown
Mechanical cleaning	X					X	X
Disinfection**	(X)					(X)	(X)
Drain basin and pump							X

\*\* depends on applied code of practice

**Notes**

1. Water treatment and auxiliary equipment integrated in the cooling system may require additions to the table above. Contact suppliers for recommended actions and their required frequency.
2. Recommended service intervals are for typical installations. Different environmental conditions may dictate more frequent servicing.
3. When operating in ambient temperatures below freezing, the unit should be inspected more frequently (see Cold weather operations in the appropriate Operating and Maintenance Instructions).



# Table of contents

## RIGGING AND INSTALLATION INSTRUCTIONS

<b>1</b>	<b>General information</b>	<b>5</b>
	About engineering and application practices	5
	Shipping	5
	Inspection before rigging	5
	Unit weights	7
	Anchoring	8
	Leveling	8
	Electrical connections	8
	Connecting pipework	8
	Coil connections	8
	Purge requirements	9
	Freeze protection	10
	Bleed Line Installation	10
	Safety Precautions	10
	Non-walking surfaces	12
	Modifications by others	12
	Warranty	12
<b>2</b>	<b>Rigging</b>	<b>13</b>
	General notes	13
	Rigging method lower section	15
	Rigging method upper section	15
	Rigging method single piece lift	16
	Rigging method accessories	16
<b>3</b>	<b>Section assembly</b>	<b>17</b>
	Method	17
	Fan guard installation	19
<b>4</b>	<b>Optional accessories assembly</b>	<b>21</b>
	General	21
	Clean out port	22
	External platform, ladder and railing	23
	Discharge accessories	25
	Intake attenuator	25
<b>5</b>	<b>Inspection prior to start-up</b>	<b>26</b>
	General	26
<b>6</b>	<b>Further Assistance &amp; Information</b>	<b>27</b>
	The service expert for BAC equipment	27
	More information	27



# PLC2 GENERAL INFORMATION

## About engineering and application practices

This bulletin only refers to the assembly of the unit. To ensure a proper operation, a correct integration of the unit in the overall installation is mandatory. For good engineering and application practices on layout, levelling, connecting pipework, etc., please refer to our website:  
<http://www.baltimoreaircoil.eu/knowledge-center/application-information>.

## Shipping

BAC cooling equipment is factory assembled to assure uniform quality and minimum field assembly. All models are shipped in two sections (upper and lower) due to shipping height restrictions.



### CAUTION

**Do not cover units with PVC eliminators with a plastic tarpaulin.  
Temperature increase due to sun radiation could deform the eliminators.**

## Inspection before rigging

When the unit is delivered to the job site, it should be checked thoroughly to ensure all required items have been received and are free of any shipping damage prior to signing the bill of lading.

The following parts should be inspected:

- Radial fans with integrated EC motor
- Fan guards
- Coils
- Water distribution system
- Strainers
- Float valve assembly
- Spray pump
- Eliminators
- Interior surfaces
- Exterior surfaces
- Electrical wiring
- Miscellaneous items



An envelope with check-list is stored in a wooden no nail crate or a plastic container which is placed in the lower section. For safety reasons, access doors may be sealed with bolts. The following table specifies which wrench is required to open them.

### Wrench to open access door

17 mm

#### *Required wrench to open access door*

The wooden no nail crate / plastic container also contains miscellaneous parts such as gasket, hardware and accessory items.

At temperatures below -10°C the butyl sealer tape might lose its flexibility. We recommend to store the sealer tape in a heated room before using it during rigging at freezing temperatures.



### CAUTION

**Be sure to remove all miscellaneous items from the lower section before the unit is assembled.**

The hardware is packed in a plastic container and located inside the lower section of the unit.

The plastic container is fixed to one of the fan supports.

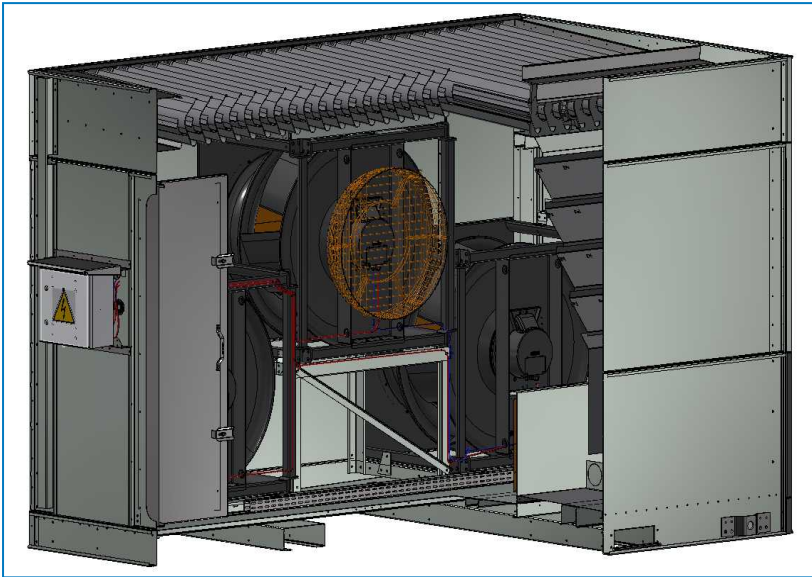
If the pump is shipped loose, it is packed in a wooden box, also located inside the lower section and attached to one of the fan supports. The pump support will be shipped loose and located inside the lower section as well.



*Location hardware, pump and pump support (if shipped loose)*

1. Hardware
2. Pump (if shipped loose)
3. Pump support (if shipped loose)

During shipment, the fan guards are placed inside the lower section of the Polairis™ unit. These fan guards need to be installed at the air intake after the lower section is rigged into the final position and before the fans are started. See Fan Guard Installation in "Method" on page 17.



*Location fan guards during shipment*

The small 1,2m wide Polairis™ units will have the fan guards factory installed.



*Factory installed fan guards*

## Unit weights

Before rigging any BAC equipment, the weight of each section should be verified on the unit certified drawing.



These weights are **approximate** and should be confirmed by weighing **before lifting** when available hoisting capacity provides little margin for safety.



### CAUTION

**Before an actual lift is undertaken, ensure no water, snow, ice or debris has collected in the sump or elsewhere in or on the unit. Such accumulations will add substantially to the equipment's lifting weight.**

In the event of extended lifts or where hazards exist, the lifting devices should be used in conjunction with safety slings placed under the unit.

## Anchoring

The unit must be properly anchored in place.

Refer to the suggested support details on the certified drawing for locations of the mounting holes. Anchor bolts must be provided by others.

Holes suitable for 20 mm bolts are provided in the bottom flange of the lower section for bolting the unit to the support beams.

## Leveling

The unit must be level for proper operation and ease of piping.

Support beams must also be level as shims should not be used between pan and support beams to level the unit.

## Electrical connections

The units are delivered with a number of electrical components that need to be connected after rigging. For all electrical components, please refer to the specific wiring diagrams in the submittal package.

## Connecting pipework

All piping external to BAC cooling equipment must be supported separately.

In case the equipment is installed on vibration rails or springs, the piping must contain compensators to eliminate vibrations carried through the external pipework.

Suction pipe sizing should be done according to good practice, which may for larger flows require larger pipe diameters than the outlet connection. In such cases adapter pieces need to be installed.

## Coil connections

Hot dip galvanized and stainless steel coils of BAC condensers are filled with a low pressure inert gas at the factory before shipping, to ensure an optimal internal corrosion protection. It is recommended to check the overpressure every six months (connect a manometer to the valve).

On site, the pressure needs to be released from the coil. Remove the plug first before opening the pressure relieve valve.

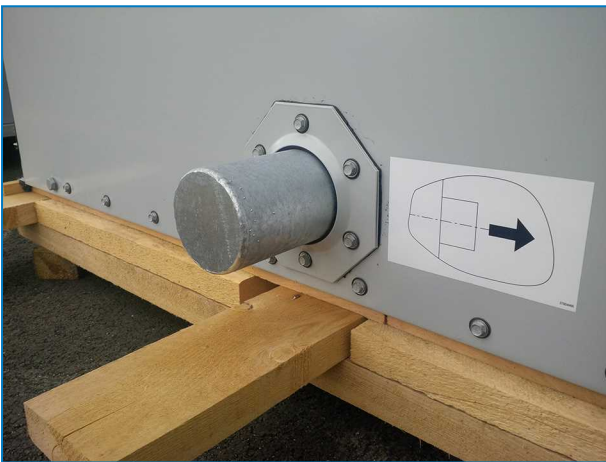
In case of threaded connections, clean up the thread prior to connecting it to the pipework.

Non-threaded connections must be bevelled on site before they can be welded.





*Upper coil connection with pressure release valve on condensers.*



*Lower closed-off coil connection on evaporative condensers.*



### CAUTION

**Once the coil is no longer protected by the inert gas, proper actions against corrosion must be taken on site.**

## Purge requirements

The installer of BAC condensers must ensure proper air purging of the system prior to operation. Entrained air can obstruct free drainage of refrigerant and reduce condensing capacity, resulting in higher operating pressures than designed.

All connections (installed by others) must be leak free and tested accordingly.

To verify absence of non condensables in the refrigeration system, follow the instructions in the BAC Application Handbook – EU Edition (<https://www.baltimoreaircoil.eu/en/downloads/pdf-Application-Handbook-EU-Edition>), Section "Condenser Engineering Guidelines".



## Freeze protection

These products must be protected against damage and/or reduced effectiveness due to possible freeze-up by mechanical and operational methods. Please contact your local BAC representative for recommended protection alternatives.

## Bleed Line Installation

Evaporative condensers that are furnished with a factory installed circulating pump include a bleed connection (size 25 mm FPT) in the riser piping. By default, this bleed connection is plugged. Remove the plug and install a bleed line with valve before putting the unit in operation.

On units operating with a remote sump tank, install a bleed line with valve between the system circulating pump discharge riser and a convenient drain. Locate the bleed line in a portion of the riser piping that drains when the pump is off.

A conductivity based, automatic bleed-off of the recirculating water using a motorized bleed valve is preferred, since this is the most reliable and accurate control method available. Contact your local BAC representative for more information.

If a manual bleed valve is installed, the bleed valve should always be open when the unit is in operation.

## Safety Precautions

All electrical, mechanical and rotating machinery constitutes a potential hazard, particularly for those not familiar with its design, construction and operation. Accordingly, adequate safeguards (including use of protective enclosures where necessary) should be taken with this equipment both to safeguard the public (including minors) from injury and to prevent damage to the equipment, its associated system and the premises.

If there is doubt about safe and proper rigging, installation, operation or maintenance procedures, contact the equipment manufacturer or his representative for advice.

When working on operating equipment, be aware that some parts may have an elevated temperature. Any operations on elevated level have to be executed with extra care to prevent accidents.

### AUTHORIZED PERSONNEL

The operation, maintenance and repair of this equipment should be undertaken only by personnel authorized and qualified to do so. All such personnel should be thoroughly familiar with the equipment, the associated systems and controls and the procedures set forth in this and other relevant manuals. Proper care, personal protective equipment, procedures and tools must be used in handling, lifting, installing, operating, maintaining and repairing this equipment to prevent personal injury and/or property damage. Personnel must use personal protective equipment where necessary (gloves, ear plugs, etc...)

### MECHANICAL SAFETY

Mechanical safety of the equipment is in accordance with the requirements of the EU machinery directive. Depending upon site conditions it also may be necessary to install items such as bottom screens, ladders, safety cages, stairways, access platforms, handrails and toe boards for the safety and convenience of the authorized service and maintenance personnel.

At no time this equipment should be operated without all fan screens, access panels and access doors in place/closed and properly secured.

When the equipment is operated with a variable fan speed control device, steps must be taken to avoid operating at or near to the fan's «critical speed».

Since the equipment operates at variable speeds, steps must be taken to avoid operating at or near the installation's "critical speed".

For more information consult your local BAC representative.

## ELECTRICAL SAFETY

All electrical components associated with this equipment should be installed with a lockable disconnect switch located within sight of the equipment.

In the event of multiple components, these can be installed after a single disconnect switch but multiple switches or a combination thereof are also allowed.

No service work should be performed on or near electrical components unless adequate safety measures are taken. These include, but are not limited to the following:

- Isolate the component electrically
- Lock the isolation switch in order to prevent unintentional restart
- Measure that no electrical voltage is present any more
- If parts of the installation remain energized, make sure to properly demarcate these in order to avoid confusion

Fan motor terminals and connections may have residual voltage after unit shut-down. Wait five minutes after disconnecting the voltage at all poles before opening the fan motor terminal box.

## LIFTING



### CAUTION

**Failure to use designated lifting points can result in a dropped load causing severe injury, death and/or property damage. Lifts must be performed by qualified riggers following BAC published Rigging Instructions and generally accepted lifting practices. The use of supplemental safety slings may also be required if the lift circumstances warrant its use, as determined by the rigging contractor.**

## LOCATION

All cooling equipment should be located as far away as possible from occupied areas, open windows or air intakes to buildings.



### CAUTION

**Each unit must be located and positioned to prevent the introduction of discharge air into the ventilation systems of the building on which the unit is located and of adjacent buildings.**



For detailed recommendations on BAC equipment layout, please see the BAC Application Handbook EU-Edition, the BAC website [www.BaltimoreAircoil.com](http://www.BaltimoreAircoil.com) or contact your local BAC Representative.

## LOCAL REGULATIONS

Installation and operation of cooling equipment may be subject to local regulations, such as establishment of risk analysis. Ensure regulatory requirements are consistently met.



## Non-walking surfaces

Access to and maintenance of any component needs to be performed in accordance with all local applicable laws and regulations. If the proper and required access means are not present, temporary structures need to be foreseen. Under no circumstance can one use parts of the unit, that are not designed as an access mean, unless measures can be taken to mitigate any risks that might occur from doing so.

## Modifications by others

Whenever modifications or changes are made by others to the BAC equipment without written permission of BAC, the party who has done the modification becomes responsible for all consequences of this change and BAC declines all liability for the product.

## Warranty

BAC will guarantee all products to be free from manufactured defects in materials and workmanship for a period of 24 months from the date of shipment. In the event of any such defect, BAC will repair or provide a replacement. For more details, please refer to the Limitation of Warranties applicable to and in effect at the time of the sale/purchase of these products. You can find these terms and conditions on the reverse side of your order acknowledgement form and your invoice.

## General notes

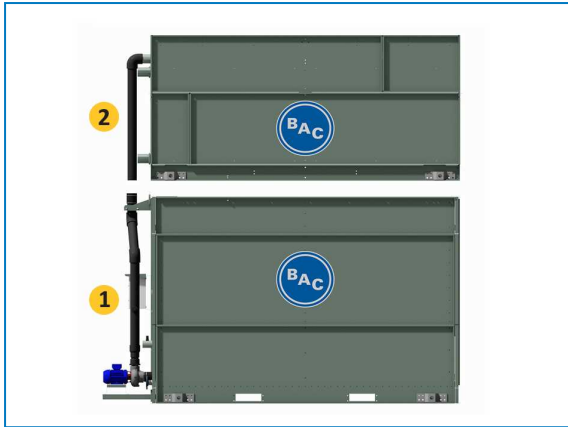
1. Unit must be rigged one section at the time.
2. If the delivery consists of separate sections, do not assemble before lifting, as the lifting devices provided are not designed to support the weight of the entire assembly.



### CAUTION

**When the unit is installed, all metal parts created by drilling, fastening self tapping screws, grinding, welding or other mechanical works must be removed from the unit. If they remain on the unit (typically on the double break flanges) this could lead to corrosion and eventually coating damage.**

3. Spreader bars of the full width of the section must be used between the lifting cables to prevent damage to the section.
4. For extended lifts or where hazards exist, it is recommended to use the lifting devices in conjunction with safety slings placed under the unit.
5. The proper rigging sequence for units is to lift the lower section into place, apply sealer to the lower section where the upper section will be located (See "Section assembly" on page 17) and then lift the upper section into place.
6. If the (pump) piping from coil products is split for transport reasons, the piping must be assembled on site by means of a flexible connection (typically a rubber sleeve or coupling).
7. Lifting devices have been provided on all sections. The table below gives the preferred method for rigging each section of a unit.
8. For asymmetrical load distribution shorten the slings at one end so the casing is approximately horizontal.



**Unit sections**

1. Lower section
2. Upper section

Model	N° of lower sections	N° of upper sections	Lower section			Upper section			Single Piece Lift			Accessories					
			Rigging method <sup>2</sup>	Min. "H" (mm)	W1 (mm) min.	W1 (mm) max.	Rigging method <sup>2</sup>	Min. "H" (mm)	W1 (mm) min.	W1 (mm) max.	Rigging method	Min. "H" (mm)	W1 (mm)	W1 (mm) max.	Rigging Method <sup>2</sup>	Min. "H" (mm)	W1 (mm)
PLC2-xxx-0403E	1	1	A	3660	1105	1705	B	3660	1195	1555	C	3660	1195	1555	D	3660	1250
PLC2-xxx-0406E	1	1	A	3660	1956	2556	B	3660	1195	1555	C	3660	1195	1555	D	3660	1250
PLC2-xxx-0409E	1	1	A	3660	2805	3405	B	3660	1195	1555	C	3660	1195	1555	D	3660	1250
PLC2-xxx-0512E	1	1	A	3660	3658	4258	B	3660	1414	1774	C	3660	1414	1774	D	3660	1450

Model	N° of lower sections	N° of upper sections	Lower section			Upper section			Accessories <sup>1</sup>			
			Rigging method <sup>2</sup>	Min. "H" (mm)	W1 (mm)	W2 (mm)	Rigging method <sup>2</sup>	Min. "H" (mm)	W1 (mm)	Rigging method <sup>2</sup>	Min. "H" (mm)	W1 (mm)
PLC2-XXXX-0812E-K	1	1	A	2800	2450	1040	B	3500	2450	D	3500	2450
PLC2-XXXX-0818E-K	1	1	A	3500	2450	1025	B	4500	2450	D	4500	2450

**Rigging method**

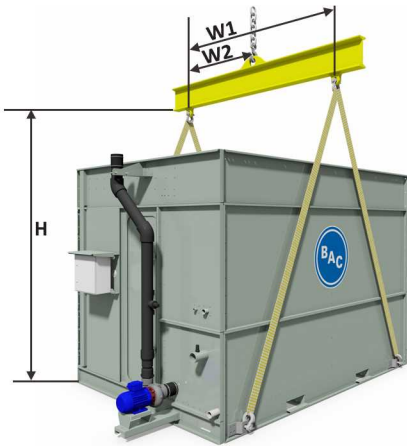
The "x" represents the variable numbers in the model number.

<sup>1</sup> Accessories can be: tapered discharge hood, sound attenuation, desuperheater, duct plenum.

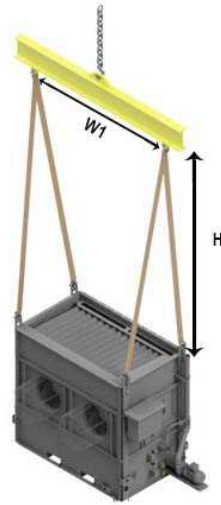
<sup>2</sup> For asymmetrical load distribution (with external piping) shorten the slings at one end so the section is approximately horizontal.

# Rigging method lower section

## RIGGING METHOD A



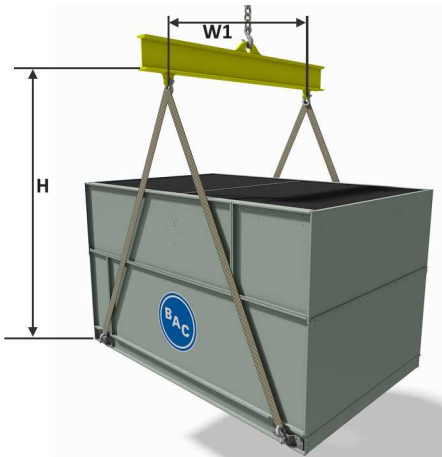
Rigging lower section



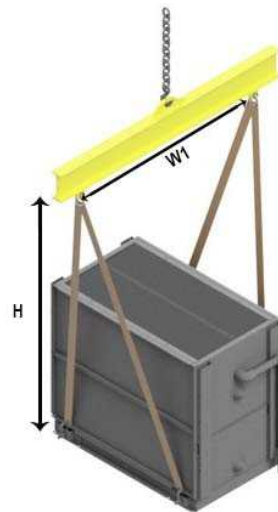
Rigging lower section (small units)

# Rigging method upper section

## RIGGING METHOD B



Rigging upper section



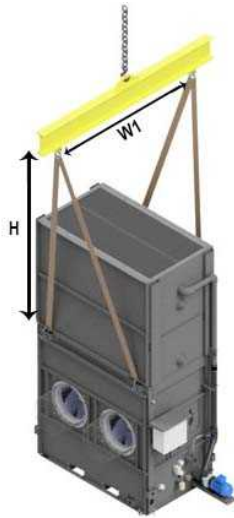
Rigging upper section (small units)



# Rigging method single piece lift

## Rigging Method C

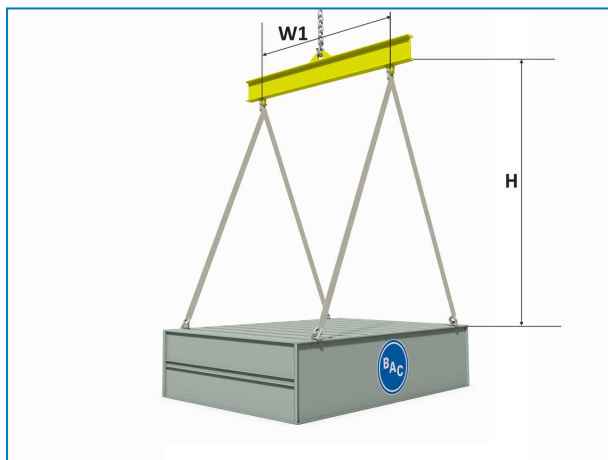
Only for small 1,2 and 1,4m wide units



*Rigging single piece lift (small 1,2 and 1,4 m wide units)*

## Rigging method accessories

### RIGGING METHOD D



*Rigging accessory*



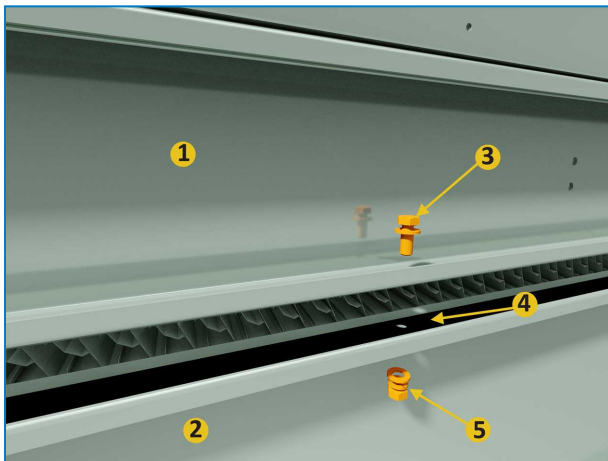
### CAUTION

**When lowering a section, ensure nothing can be trapped between the upper and lower flanges.**



## Method

1. Position the lower section on the supporting steel and bolt in place.
2. Remove any protective wood from the top horizontal flanges of the lower section. Wipe down the flanges to remove dust, dirt or moisture that may have accumulated during shipment and storage.
3. Install butyl sealer tape, supplied with the unit, on the mating flanges of the lower section in a continuous line over the centre line of the bolt holes. At each corner, allow 2 to 3 cm overlap. Do not stretch sealer tape.
4. Sealer applied to the end flanges must be continuous.



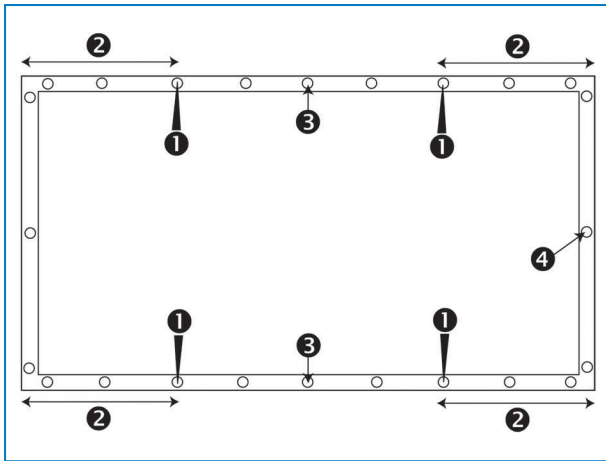
*Installation of tape sealer*

1. Upper section
2. Lower section
3. Bolt M12 and flat-washer
4. Butyl sealer tape laid over punch line around unit perimeter
5. Flat-washer, lock-washer and nut

5. Remove the skid from the upper section. Lift this upper section and position it over the lower section so that the flanges of the section are about 50 mm above the lower section. Do not let the section swing and damage the sealer.

Use at least four drift pins (see figure) in the fastening holes located on the long sides of the sections to align the top section to the bottom section. To avoid incorrect alignment, refer to the below drawing for the position of the fastening holes to be used. Use additional drift pins in the middle of the unit if required, to align long panels. (See figure "Usage of drift pin to align the screw holes")

Make sure all holes from upper section and lower section are properly aligned before lowering the top section completely to the bottom section.



*Position of the fastening holes to be used.*

1. Drift pin position
2. The distance between the fastening hole in which the drift pin is inserted and the corner should be at least 30cm
3. Usage of additional drift pin for long sides
4. Fastening hole



**CAUTION**

**When lowering a section, ensure nothing can be trapped between the upper and lower flanges.**



*Usage of drift pin to align the screw holes*

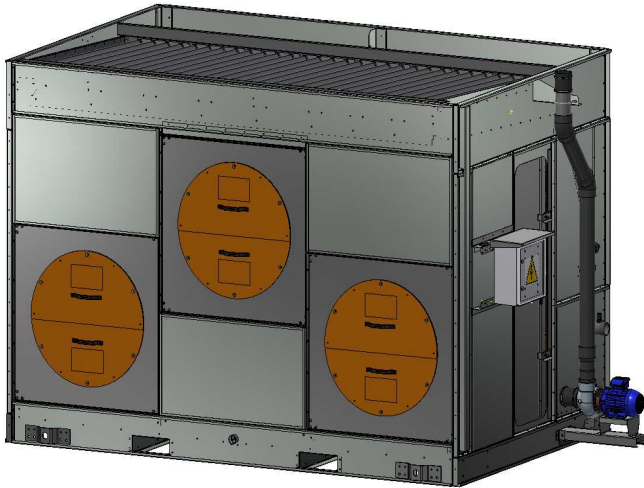
6. Using the bolts, drive bolts down through the upper section and into the lower section. Start next to lifting ear towards centre of unit. Continue to install the bolts using the drift pin to align the holes until all holes are filled with bolts.
7. Secure the flexible hose that connects the upper and lower sections of the pump discharge pipe using the hose clamps provided.
8. Remove any wooden or plastic bracing from around the eliminators or upper section(s).

# Fan guard installation



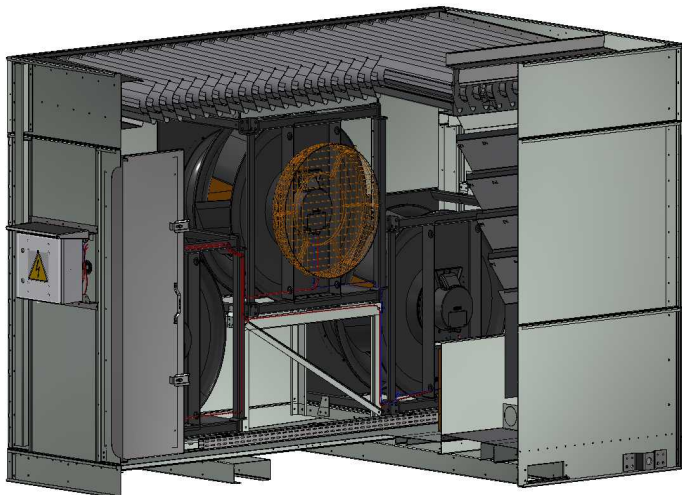
Only for 2,4m wide units

During shipment, fans are protected by fan covers which need to be replaced by the actual fan guards before the unit is taken into operation.



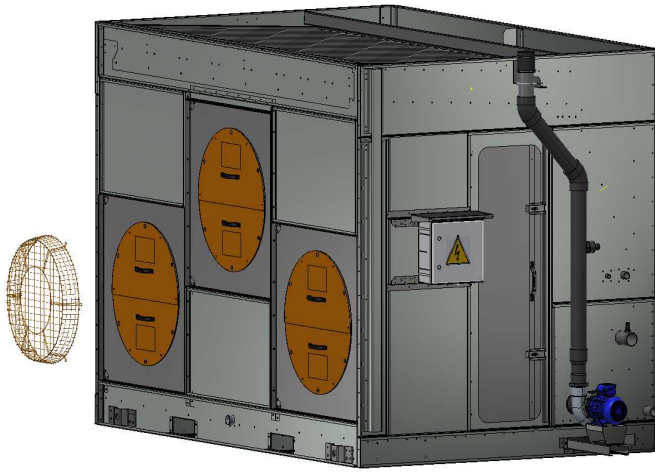
Unit shipped with fan covers.

These fan guards can be found inside the lower section of the unit, see "Inspection before rigging" on page 5.

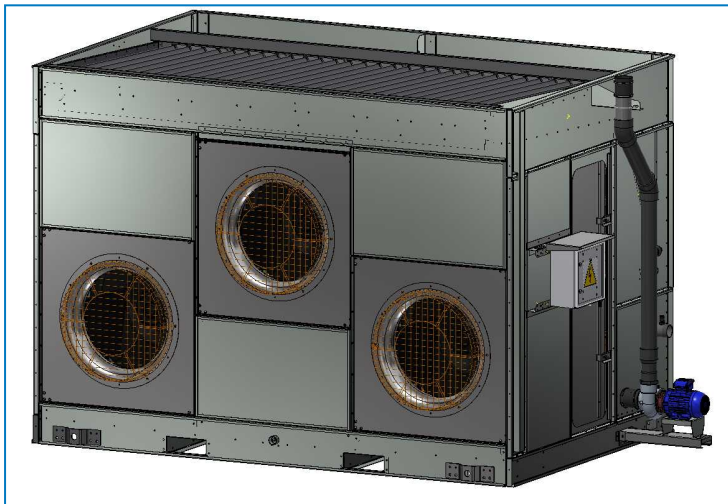


Location of fan guards during shipment.

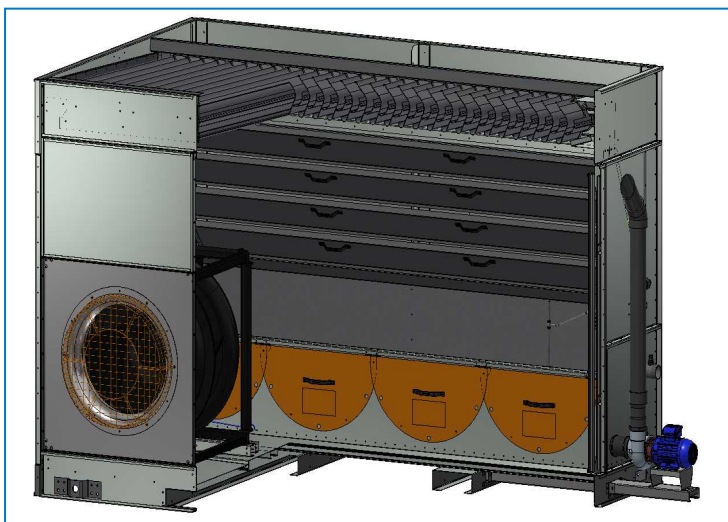
You can re-use the existing hardware to install the fan guards, after which the protective fan covers can be stored inside the unit for possible future use (max. 2 pieces).



Replace fan cover with fan guard.



All fan guards installed.



Location to store fan covers.

# 4

PLC2

## OPTIONAL ACCESSORIES ASSEMBLY

### General

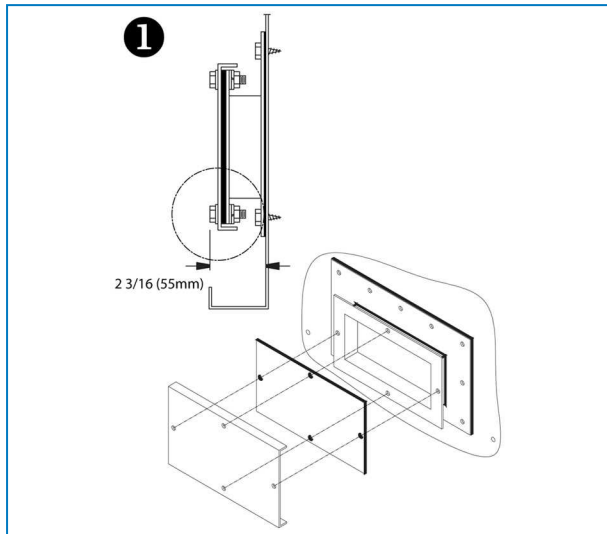
1. All required installation instructions for optional accessories are stored in the wooden no nail crate / plastic container which is placed in the lower section. See "Inspection Before Rigging" on page 1 - picture "Hardware Location".
2. Optional discharge accessories such as tapered hoods, discharge sound attenuators, desuperheaters and/or access plenums can be fitted.
3. Refer to the unit certified drawing for installation sequence of optional accessories.
4. Sealing methods are the same as for the upper section.
5. Rigging method of optional accessories is indicated in the rigging tables.(see "General notes" on page 13
6. The platform, ladder and railing is packed on a separate skid. The assembly hardware is packed in a plastic container and strapped to the platform, ladder or railing itself.



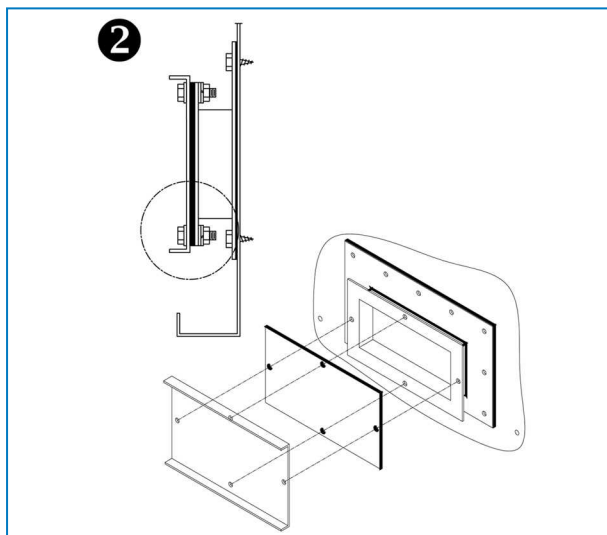
*Hardware location for platform, ladder & railing*

## Clean out port

Due to transport width limits, the cover flanges of the clean out port are mounted with flanges towards the inside (1). On site, the cover can be placed with flanges to the outside for easy access to hardware (2).



*Clean out port cover mounted for transport*



*Final installation of clean out port cover*

# External platform, ladder and railing

## PLATFORM



External platform brackets are factory installed.

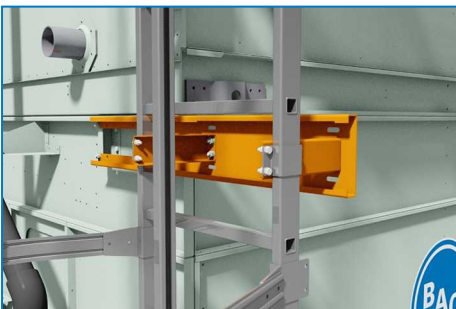


Lift entire platform in place and fasten to pre-installed brackets with M12 hardware.

## LADDER



Ladder brackets are factory installed.

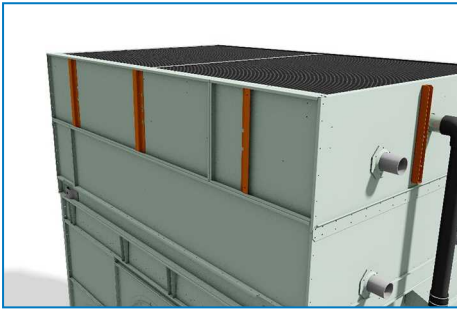


Assemble field installed ladder brackets with M10 hardware.

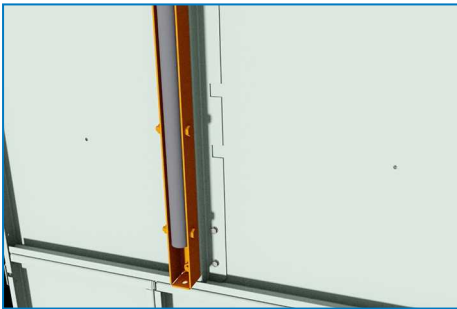


Lift the ladder with cage into place and fasten with M8 and M10 hardware.

## HANDRAIL



Handrail brackets are factory installed.



Install all vertical posts with delivered brackets and tighten with M10 hardware.



Slide in handrail and tighten with set screws.



## Discharge accessories



Lift discharge accessory onto upper section of the unit.



Make sure the holes of the discharge accessory line up with the unit holes. Secure with tappers.

## Intake attenuator



Lift intake attenuator in position. Make sure the intake attenuator attachment holes line up with the unit holes. Secure with tappers.



Remove the shipping strap diagonals after installation.

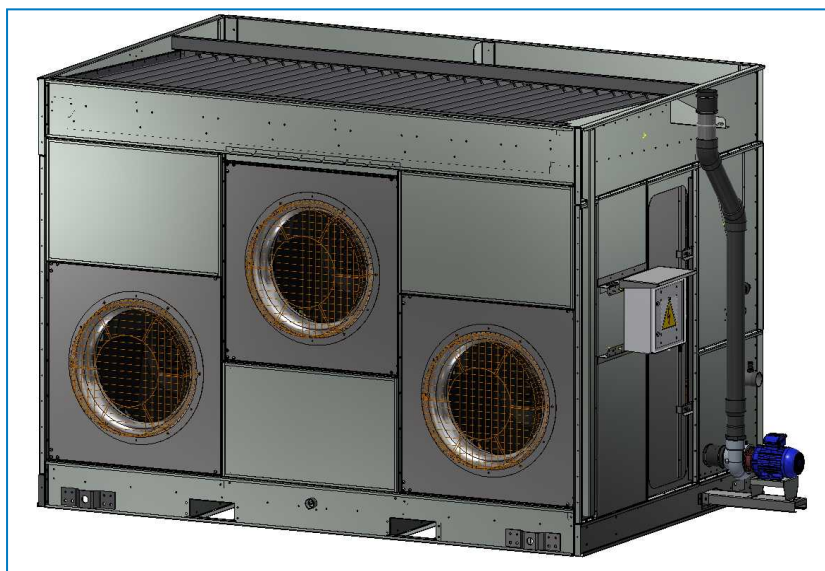
# 5

## PLC2 INSPECTION PRIOR TO START-UP

### General

Prior to start-up, the following services, which are described in detail in the Operating and Maintenance Manual (see table "Recommended maintenance and monitoring programme" ) must be performed. Proper start-up procedures and scheduled periodic maintenance will prolong the life of the equipment and ensure trouble-free performance for which the unit is designed.

Make sure all fan covers are replaced by the fan guards before the unit is taken into operation.



*All fan guards installed, unit is now ready for operation.*

## The service expert for BAC equipment

We offer tailored services and solution for BAC cooling towers and equipment.

- Original spare parts and fill -for an efficient, safe and year round reliable operation.
- Service solutions - preventive maintenance, repairs, refurbishments, cleaning and disinfection for reliable trouble-free operation.
- Upgrades and new technologies - save up energy and improve maintenance by upgrading your system.
- Water treatment solutions - equipment for controlling corrosion scaling and proliferation of bacteria.

For more details, contact your local BAC representative for further information and specific assistance at [www.BACservice.eu](http://www.BACservice.eu)

## More information

### REFERENCE LITERATURE

- Eurovent 9-5 (6) Recommended Code of Practice to keep your Cooling System efficient and safe. Eurovent/Cecomaf, 2002, 30p.
- Guide des Bonnes Pratiques, Legionella et Tours Aéroréfrigérantes. Ministères de l'Emploi et de la Solidarité, Ministère de l'Economie des Finances et de l'Industrie, Ministère de l'Environnement, Juin 2001, 54p.
- Voorkom Legionellose. Ministerie van de Vlaamse Gemeenschap. December 2002, 77p.
- Legionnaires' Disease. The Control of Legionella Bacteria in Water Systems. Health & Safety Commission. 2000, 62p.
- Hygienische Anforderungen an raumluftechnische Anlagen. VDI 6022.

### INTERESTING WEBSITES

Baltimore Aircoil Company	<a href="http://www.BaltimoreAircoil.com">www.BaltimoreAircoil.com</a>
BAC Service website	<a href="http://www.BACservice.eu">www.BACservice.eu</a>
Eurovent	<a href="http://www.eurovent-certification.com">www.eurovent-certification.com</a>
European Working Group on Legionella Infections (EWGLI)	<a href="http://EWGLI">EWGLI</a>
ASHRAE	<a href="http://www.ashrae.org">www.ashrae.org</a>
Uniclma	<a href="http://www.uniclma.fr">www.uniclma.fr</a>
Association des Ingénieurs et techniciens en Climatique, Ventilation et Froid	<a href="http://www.aicvf.org">www.aicvf.org</a>
Health and Safety Executive	<a href="http://www.hse.gov.uk">www.hse.gov.uk</a>

### ORIGINAL DOCUMENTATION



This manual is originally made in English. Translations are provided for your convenience. In the event of discrepancies, the English original text shall prevail over the translation.



A series of horizontal dotted lines for writing, spanning the width of the page.



A series of horizontal dotted lines for writing, spanning the width of the page.



A series of horizontal dotted lines spanning the width of the page, providing a template for writing or drawing.





A series of horizontal dotted lines for writing, spanning the width of the page.

COOLING TOWERS

---

CLOSED CIRCUIT COOLING TOWERS

---

ICE THERMAL STORAGE

---

EVAPORATIVE CONDENSERS

---

HYBRID PRODUCTS

---

PARTS, EQUIPMENTS & SERVICES

BLUE by nature  
GREEN at heart



[www.BaltimoreAircoil.com](http://www.BaltimoreAircoil.com)

[Europe@BaltimoreAircoil.com](mailto:Europe@BaltimoreAircoil.com)

Please refer to our website for local contact details.

Industriepark - Zone A, B-2220 Heist-op-den-Berg, Belgium

© Baltimore Aircoil International nv