



COOLING TOWER BEARINGS

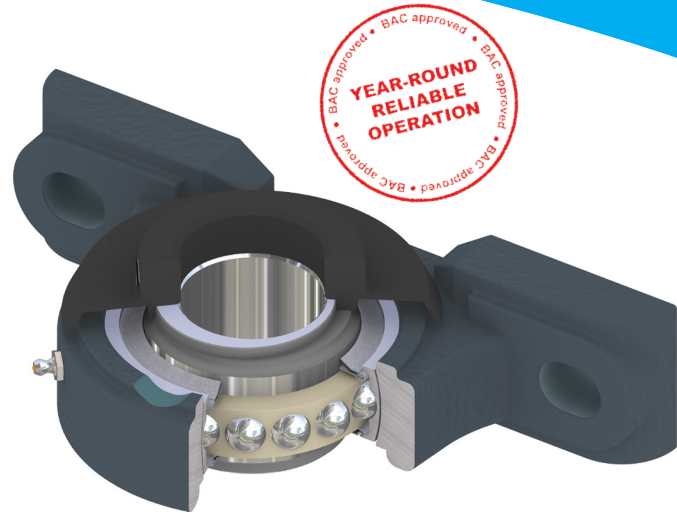
Guaranteed year-round reliable operation



Customized BAC bearings offer you peace of mind when it comes to your cooling tower

The **right bearing execution** is critical for your application to benefit from maximum lifetime. Specifically bearings that operate inside cooling towers are exposed to **tough conditions**, operating within a moist and hot environment.

BAC uses **specially engineered and tested bearings** to meet the rigorous BAC standards. Providing installation and lubrication is done as per BAC operating & maintenance instructions, you will enjoy **guaranteed year-round reliable operation**. Our bearings have **unique specifications** thanks to joint development with our bearing manufacturer.



An axial fan BAC cooling tower bearing

A small cost for BIG savings

✓ Longer service life

- Longer bearing L_{10} life of **80,000 hours**, compared to other common bearings on the market.
- Unique specification for operation in **harsh conditions**, within a moist and hot environment.

✓ Reliable operation

- Ensures the **continuous operation** of the cooling tower, avoiding loss of production through downtime.
- **Avoids frequent replacement or service works**, which come at a high cost.
- Ensures that your **fan shaft, propeller and other drive elements** are not at risk of premature failure.

✓ Easy installation

The **BAC bearing**, supplied with the required mounting hardware, offers a quick and easy **replacement**.



What makes our induced draft axial fan **BAC** cooling tower bearing so **uniquely qualified** for the job?



1 An **engineered finger with integrated collar**, specifically designed for BAC.
This rides in a special machined cross section in the housing to repel water.

2 A **3-piece R seal** including outboard and inboard finger.

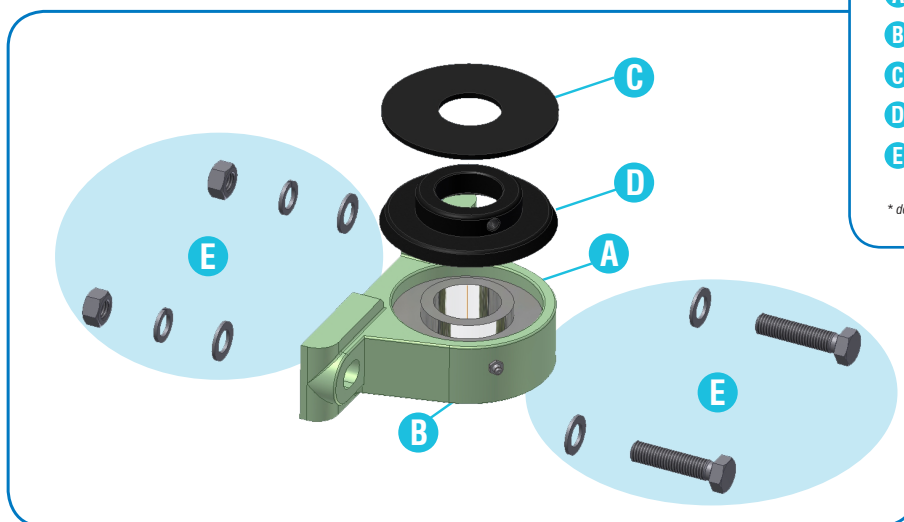
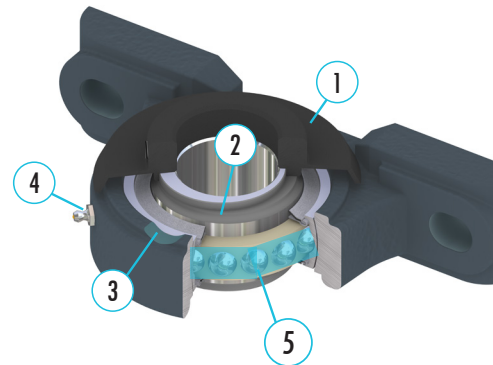


3 Special **housing and notch**, machined to prevent water collection.



4 The **grease fitting location** is unique.
This ensures full evacuation of old, contaminated grease out of the bottom.

5 **Grease** that outperforms most common available greases.
This ensures an **extended** grease life and **better** rust resistance.



Bearing kit

- A BAC bearing
- B grease nipple
- C rubber finger*
- D finger collar
- E nuts and bolts for installation

* depending on the application

You want to prevent:

- * **additional downtime** and suffer a loss of production,
- * **collateral damage** of your fan shaft, propeller and other drive components,
- * **higher cost** because of frequent replacement or service works on your cooling tower.

**Be smart and
select BAC bearings!**



**BALTIMORE
AIRCOIL COMPANY**

For more information contact:

Baltimore Aircoil International nv

info@BaltimoreAircoil.eu - www.BaltimoreAircoil.eu

info@balticare.com - www.Balticare.com

